

**ELECTRONIC MORTICE LOCK  
DOOR TEMPLATE**

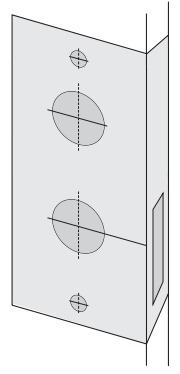
RECTANGLE

FIT DOORS 33MM TO 50MM THICK

BACKSET 60MM

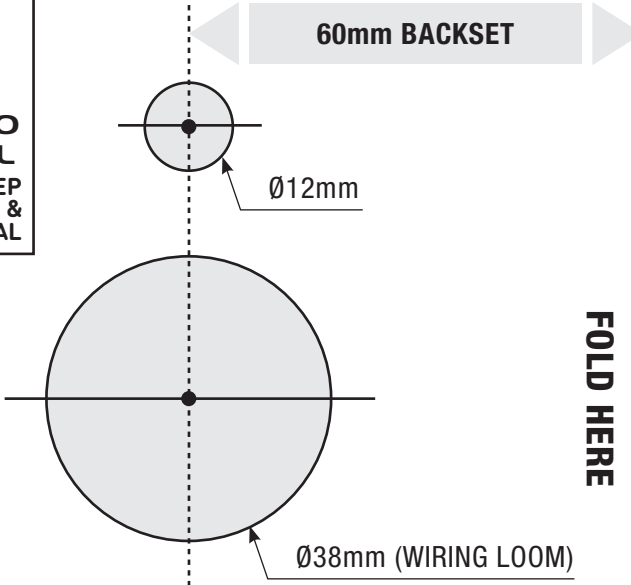


**TOP  
OF DOOR**



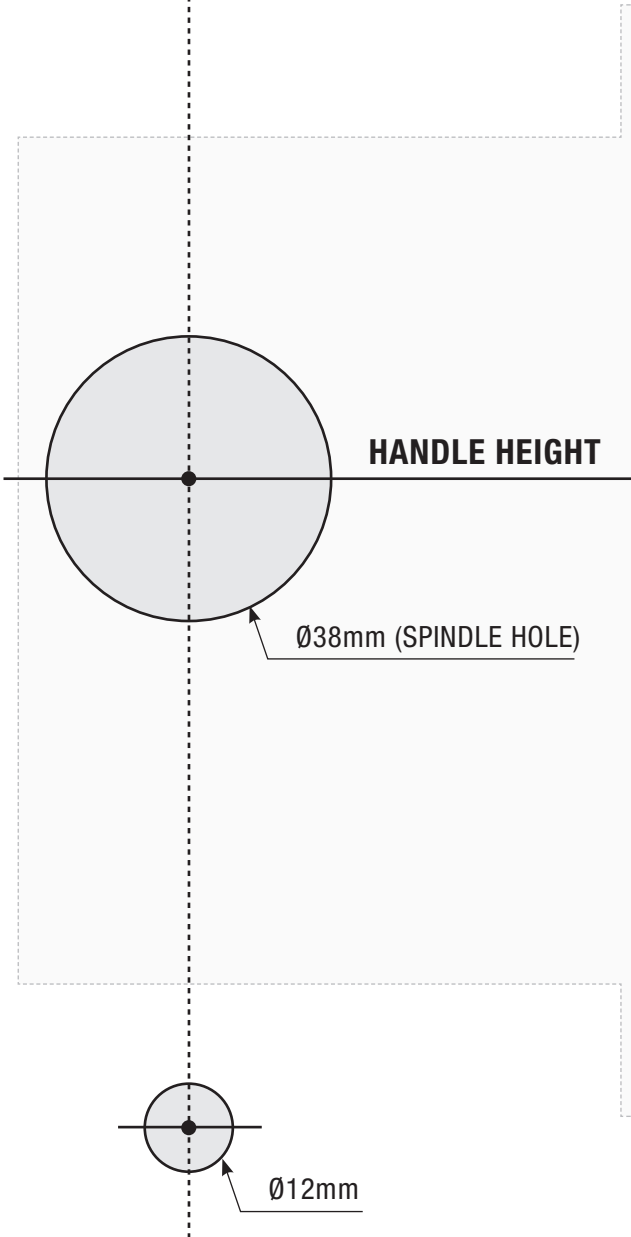
**POSITION ON EDGE**

**EASY TO  
INSTALL**  
STEP-BY-STEP  
VIDEO GUIDE &  
USER MANUAL



**FOLD HERE**

CENTRE LINE  
OF DOOR EDGE

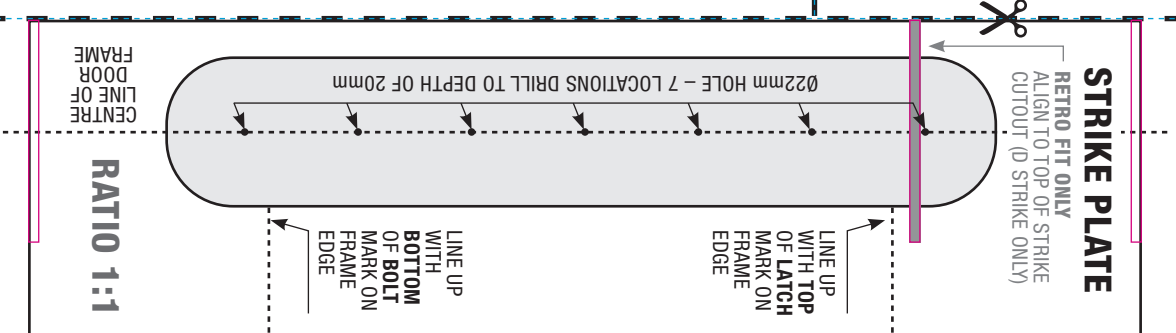


CHISEL FACEPLATE  
FLUSH WITH DOOR EDGE



Mark and drill holes from both sides of the door.

**RATIO 1:1**

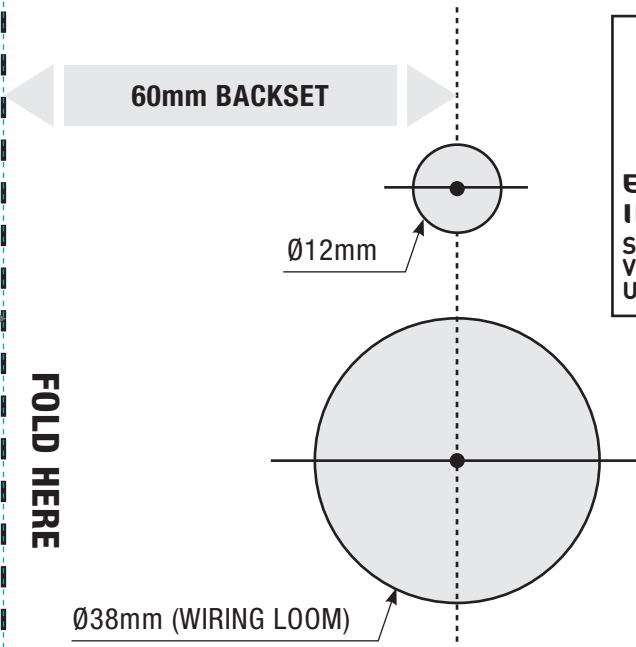
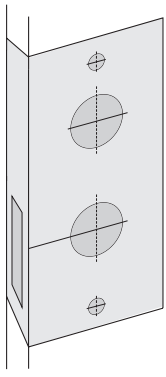


**ELECTRONIC MORTICE LOCK  
DOOR TEMPLATE**

RECTANGLE

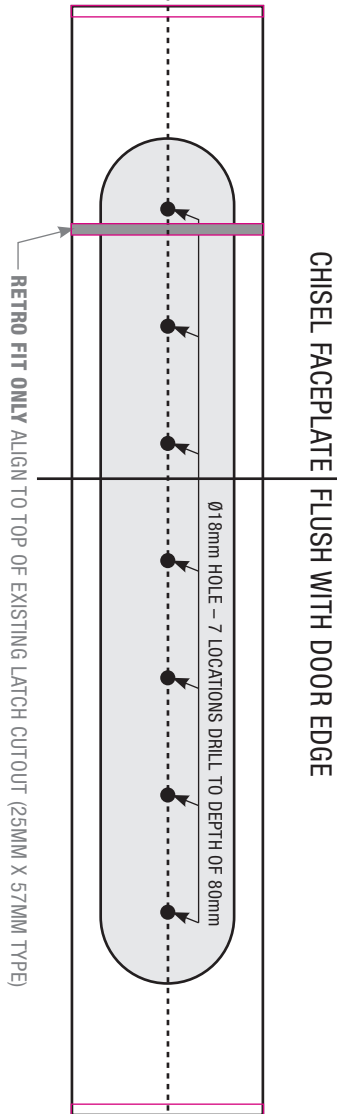
FIT DOORS 33MM TO 50MM THICK

BACKSET 60MM



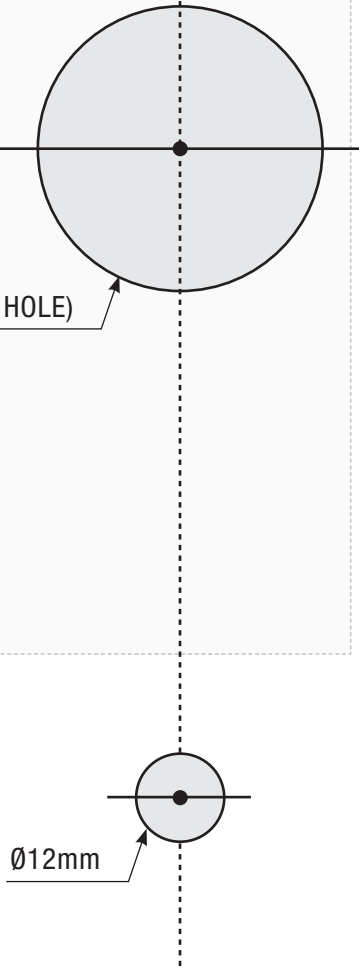
**FOLD HERE**

CENTRE LINE  
OF DOOR EDGE



**HANDLE HEIGHT**

Ø38mm (SPINDLE HOLE)



**RATIO 1:1**

Mark and drill holes from both sides of the door.

