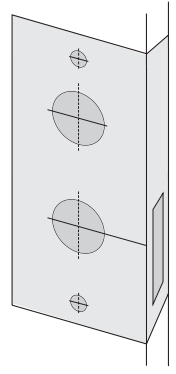


**ELECTRONIC MORTICE LOCK  
DOOR TEMPLATE**

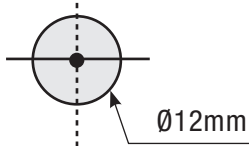
**RADIUS**

**FIT DOORS 33MM TO 50MM THICK**

**BACKSET 60MM**

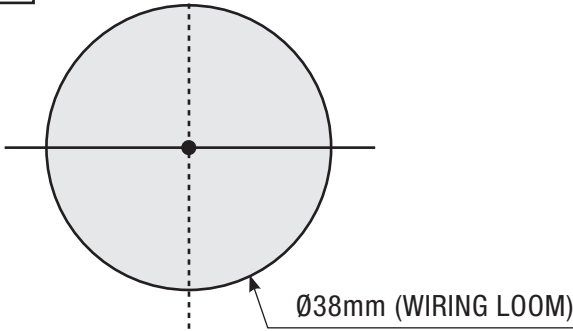


**POSITION ON EDGE**

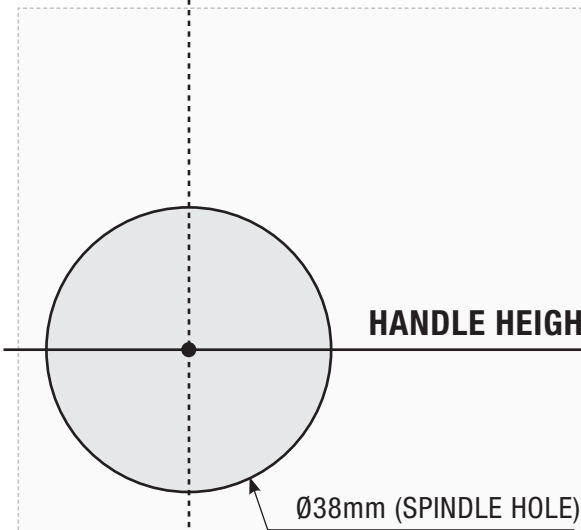


**60mm BACKSET**

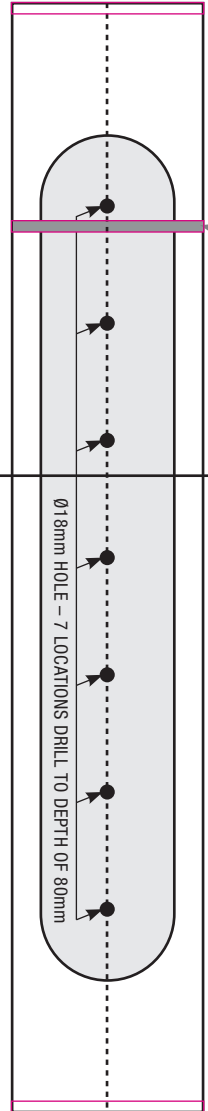
**FOLD HERE**



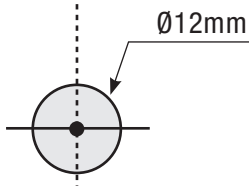
**CENTRE LINE  
OF DOOR EDGE**



**CHISEL FACEPLATE  
FLUSH WITH DOOR EDGE**

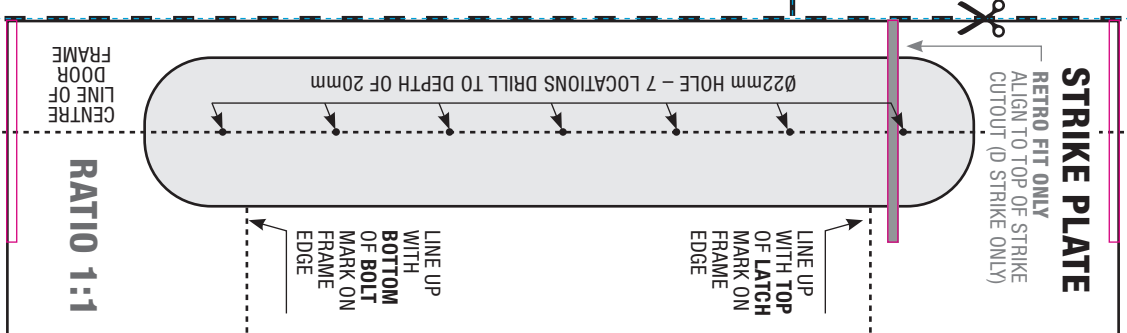


**RETRO FIT ONLY ALIGN TO TOP OF EXISTING LATCH CUTOUT (25MM X 57MM TYPE)**



*Mark and drill holes from both sides of the door.*

**RATIO 1:1**



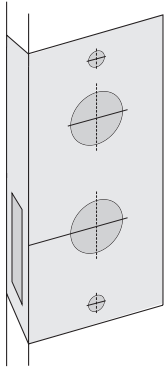
**ELECTRONIC MORTICE LOCK  
DOOR TEMPLATE**

**RADIUS**

**FIT DOORS 33MM TO 50MM THICK**

**BACKSET 60MM**

**↑  
TOP  
OF DOOR**



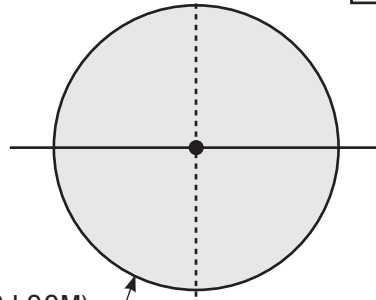
**EASY TO  
INSTALL**  
STEP-BY-STEP  
VIDEO GUIDE &  
USER MANUAL

Ø12mm

**60mm BACKSET**

**POSITION ON EDGE**

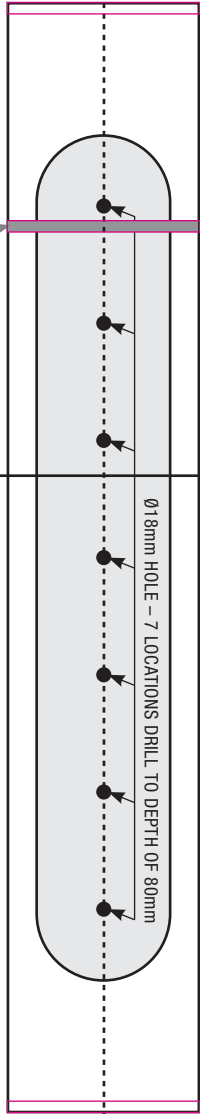
**FOLD HERE**



Ø38mm (WIRING LOOM)

CENTRE LINE  
OF DOOR EDGE

RETRO FIT ONLY ALIGN TO TOP OF EXISTING LATCH CUTOUT (25MM X 57MM TYPE)



CHISEL FACEPLATE  
FLUSH WITH DOOR EDGE

**HANDLE HEIGHT**

Ø38mm (SPINDLE HOLE)

Ø12mm

**RATIO 1:1**

Mark and drill holes from both sides of the door.

**STRIKE PLATE**

RETRO FIT ONLY  
ALIGN TO TOP OF STRIKE  
CUTOUT (Ø STRIKE ONLY)

LINE UP  
WITH TOP  
OF LATCH  
MARK ON  
FRAME  
EDGE

LINE UP  
WITH  
BOTTOM  
OF BOLT  
MARK ON  
FRAME  
EDGE

CENTRE  
LINE OF  
DOOR  
FRAME

**RATIO 1:1**

Ø22mm HOLE - 7 LOCATIONS DRILL TO DEPTH OF 20mm