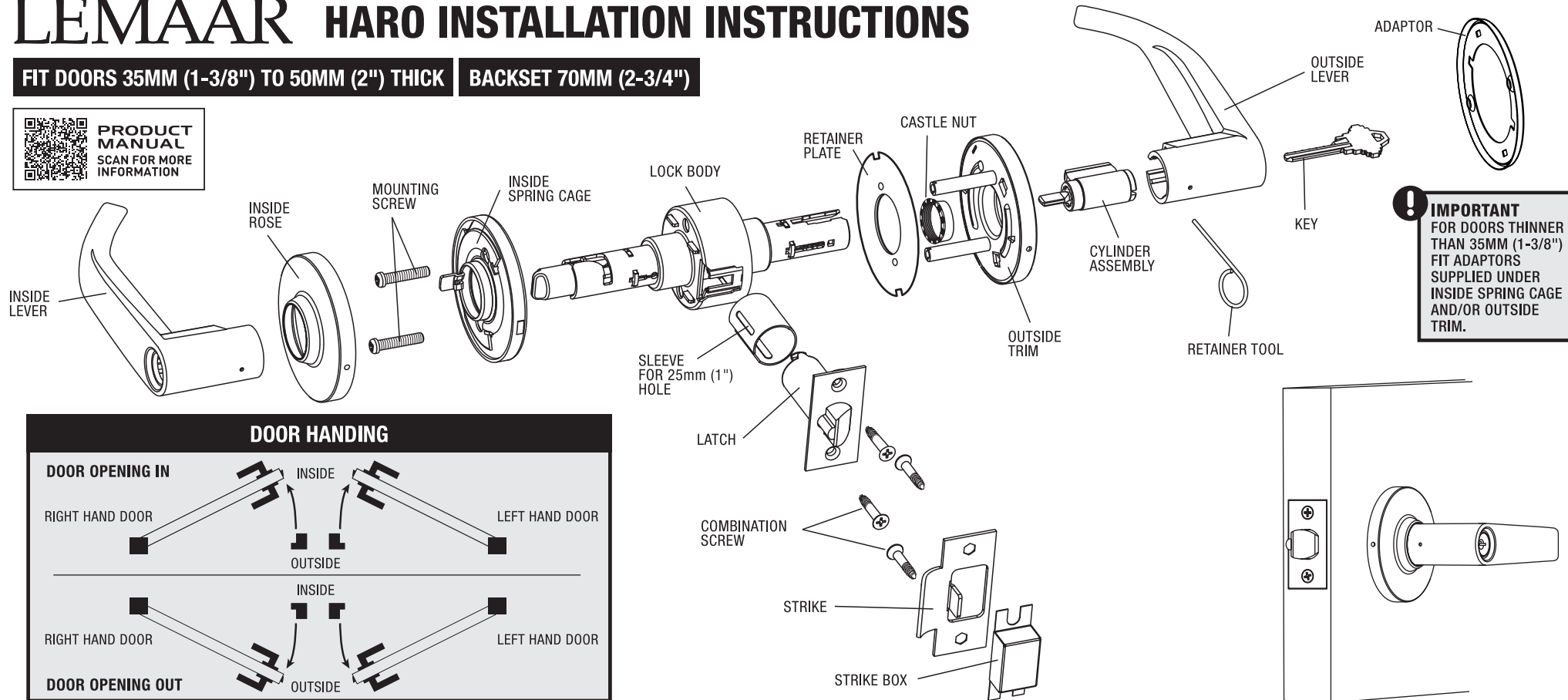
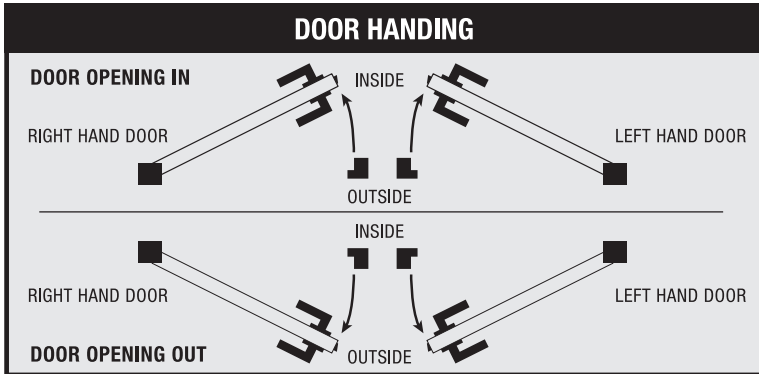


LEMAAR HARO INSTALLATION INSTRUCTIONS

FIT DOORS 35MM (1-3/8") TO 50MM (2") THICK BACKSET 70MM (2-3/4")

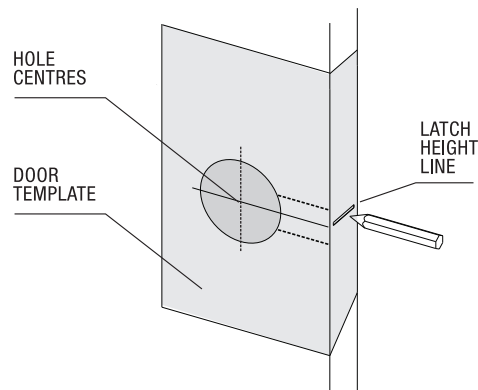


IMPORTANT
FOR DOORS THINNER THAN 35MM (1-3/8") FIT ADAPTORS SUPPLIED UNDER INSIDE SPRING CAGE AND/OR OUTSIDE TRIM.



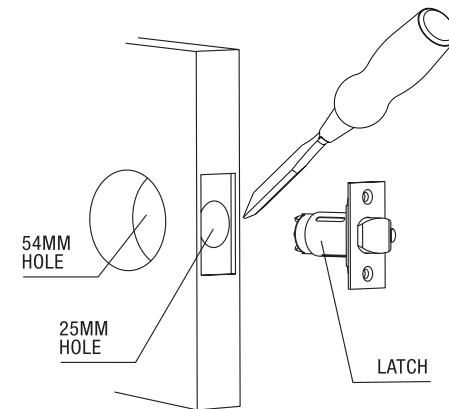
1 NEW DOOR PREPARATION

- 1A** Fold the door template and position on door.
- 1B** Mark latch height and all hole centres on door.
- 1C** Position template on other side of door, lining up latch height line to first marking.
- 1D** Mark hole centres.
- 1E** Measure door thickness and mark centre of door thickness on latch height marking.



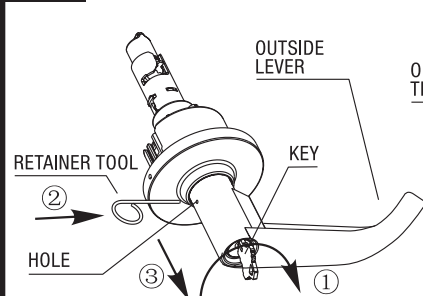
- 1F** Drill 54mm hole from both sides of door face to avoid blowout.
- 1G** Drill 25mm hole on door edge.
- 1H** Position latch centrally within 25mm hole in door edge and mark around the faceplate.
- 1I** Chisel marked area until latch is flush with door edge.

IMPORTANT
REMOVE LATCH FROM DOOR BEFORE MOVING ON TO THE NEXT STEP

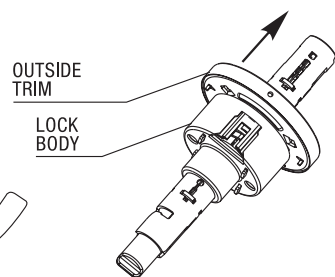


2 ADJUST OUTSIDE TRIM TO SUIT DOOR THICKNESS

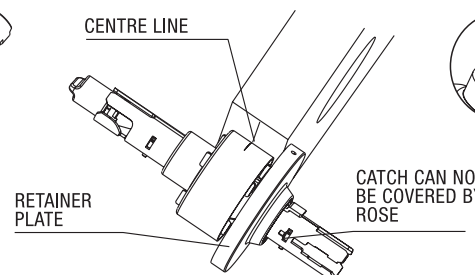
This lock is factory preset for 45mm (1-3/4") Doors, if your door thickness is 45mm (1-3/4"), skip Step 2 and go to Step 3



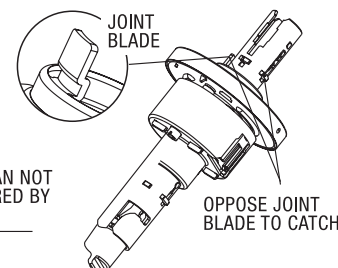
2A Turn key clockwise and hold, insert retainer tool and depress retainer. Pull to remove outside lever.



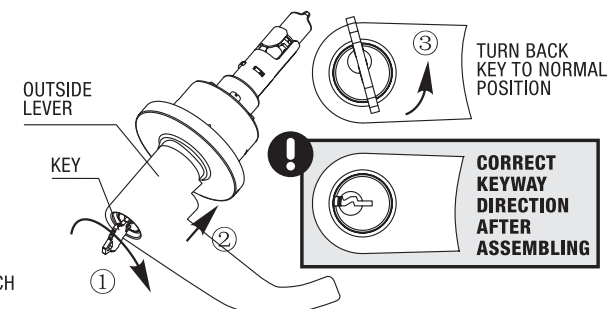
2B Remove outside trim exposing castle nut and retainer plate.



2C Align centre of the lock body to the centre of the door thickness. Adjust castle nut and retainer plate to suit the door thickness.

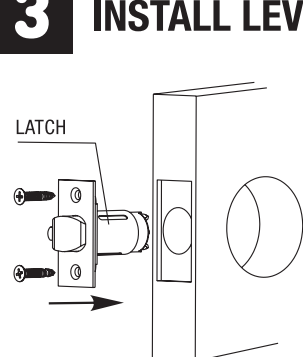


2D Install outside trim back to lock body. Screw posts on outside trim must locate through retainer holes. Note joint blade must face opposite to retainer catch.

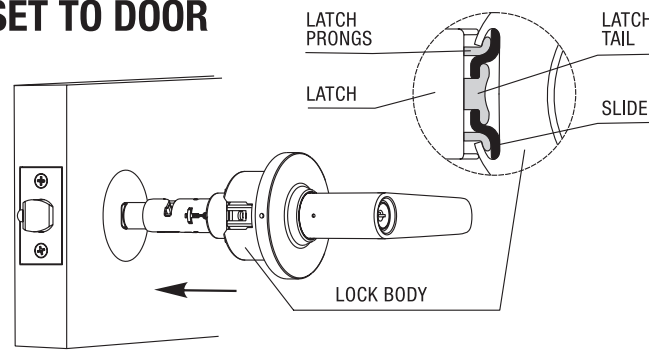


2E Turn the key 90° clockwise in lever and push lever onto the lock body. Turn the key back to correct position to release. Test lever is fitted correctly.

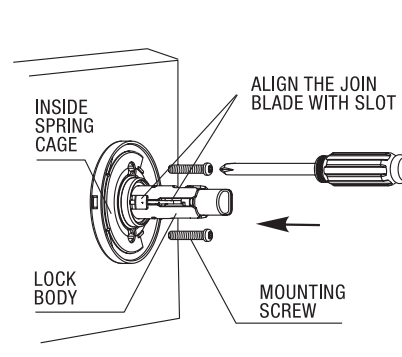
3 INSTALL LEVERSET TO DOOR



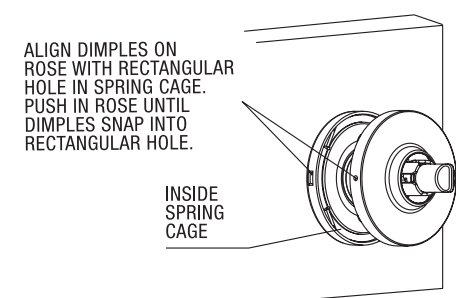
3A Inset latch unit and fix it with two screws.



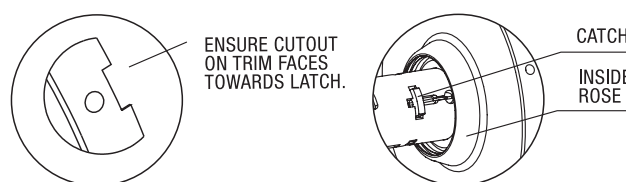
3B Place lock body into position. Make sure that latch prongs engage chassis in housing, and slide engages latch tail.



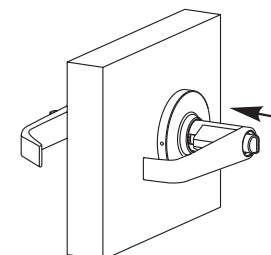
3C Install inside spring cage. Note: Joint blade must face opposite to spring catch.



3D Fix inside rose and make sure inside rose and inside spring cage are tightened.

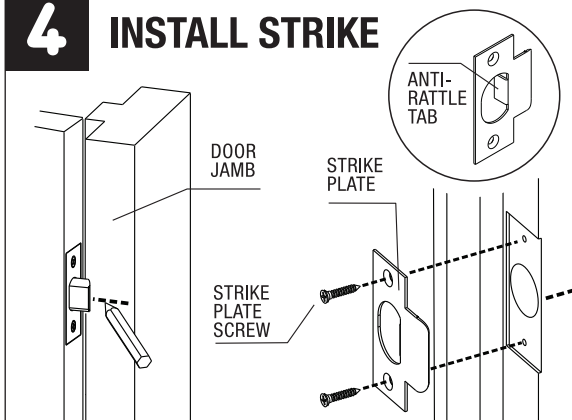


IMPORTANT
IF THE DOOR IS THICKER THAN 50MM, THE CATCH WILL BE COVERED BY INSIDE ROSE, DO NOT INSTALL INSIDE LEVER AND LOCK.



3E Slide lever onto spindle. Push lever completely into place. (Pull on lever to make sure that catch is fully engaged.)

4 INSTALL STRIKE



4A Door seals must be installed before the strike plate.
4B Close door until the latch-bolt rests in the door jamb.
4C Mark centre of bolt on door jamb, this mark can be used to position strike plate.
4D Mark and drill 25mm hole inside the jamb to a depth of 25mm on marked bolt centre position.
4E Position the strike plate and mark around. Chisel recess until strike plate sits flush with door jamb face.
4F Fasten strike plate to door jamb with screws.
4G Close door and check if the door rattles. If required, remove strike plate and bend anti-rattle tab to reduce rattle. Re-fit strike plate and re-check rattle.