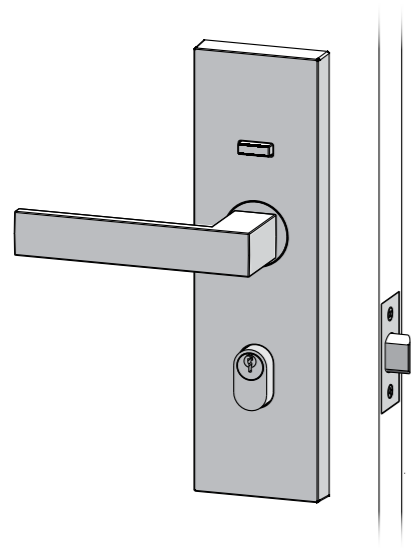


LEMAAR

ENTRY PRO 3.0

Installation Instructions

SUITS 33mm TO 45mm THICK DOORS

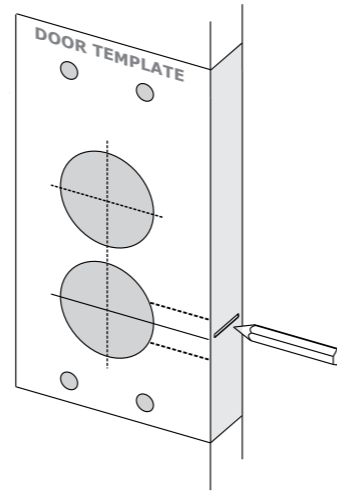


lemaar.com.au

Step 1.

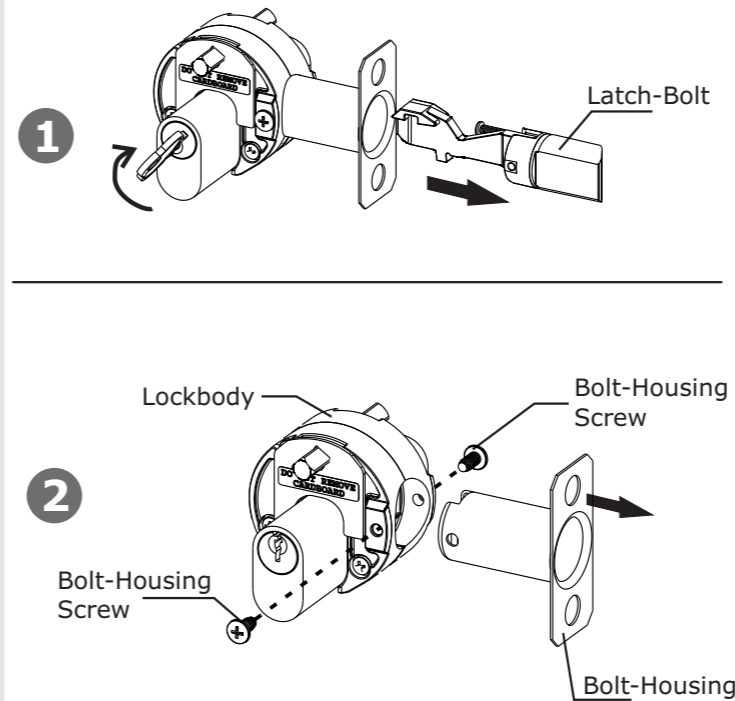
- Fold the Door Template and position it on the door.
- Mark the latch height and all hole centres on door.
- Position template on the other side of door, lining up latch height line to first marking. Mark hole centres.
- Measure door thickness and mark centre of door thickness on latch height marking.
- Pilot drill all holes on both sides of the door with 3mm drill bit.
- Drill two 54mm holes and four 10mm holes as per template. Drill holes from both sides of door to avoid splintering.
- Drill 25mm hole into the edge of the door, central to the door thickness. Ensure the hole is drilled squarely.

NOTE : Using 22mm hole instead of 25mm is OK.



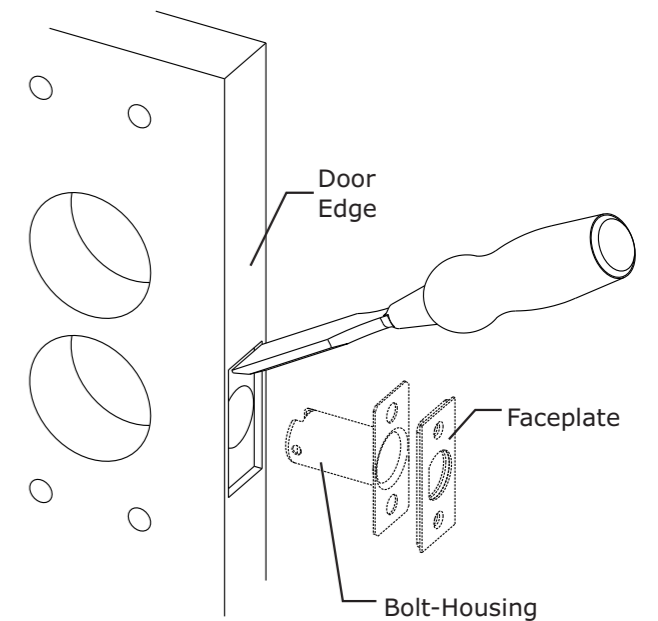
Step 2.

1. Rotate Key until Latch-Bolt pops out of Bolt-Housing.
2. Remove both Bolt-Housing Screws and pull Bolt-Housing out of Lockbody.



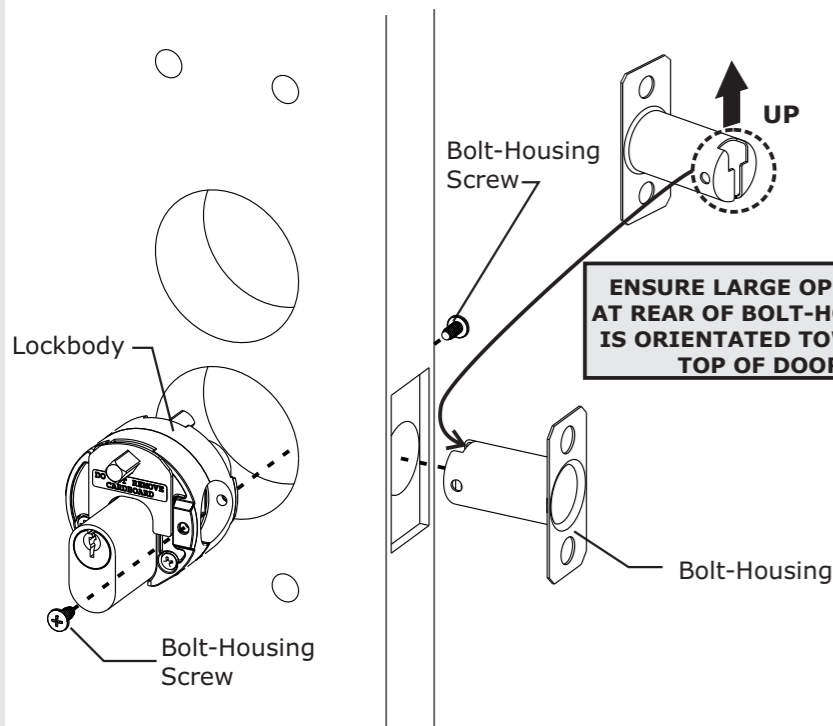
Step 3.

- Position the Bolt-Housing and Faceplate centrally within 25mm hole in door edge and mark around the faceplate.
- Chisel marked area until Bolt-Housing with Faceplate is flush with face of door edge.
- Remove Bolt-Housing and Faceplate from door before moving to the next step.



Step 4.

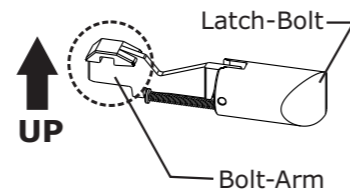
- Install the Lockbody into door, with orientation as shown.
- Orientate Bolt-Housing as shown.
- Insert Bolt-Housing into 25mm door hole and locate in Lockbody.
- Re-install 2 x Bolt-Housing Screws.



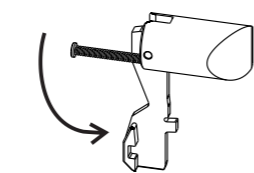
ENSURE LARGE OPENING AT REAR OF BOLT-HOUSING IS ORIENTATED TOWARDS TOP OF DOOR

Step 5.

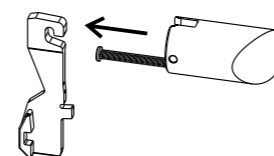
- With Bolt-Arm orientated **UP** as shown, check that the curved side of the Latch-Bolt is orientated towards the direction of door closure.
- If the curve on the Latch-Bolt is facing the wrong direction, follow the steps below to re-orientate the Latch-Bolt.
- **NOTE** : 1. Do not wipe the grease off the Bolt-Arm.
2. Ensure the spring and pin are not removed.



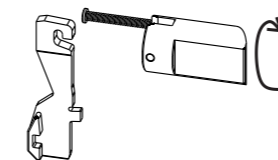
Re-orientate Latch-Bolt if required:



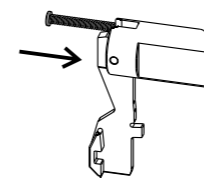
1. Rotate Bolt-Arm down 90 degrees



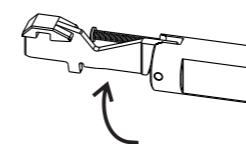
2. Un-clip Bolt-Arm from Latch-Bolt



3. Rotate Latch-Bolt 180 degrees



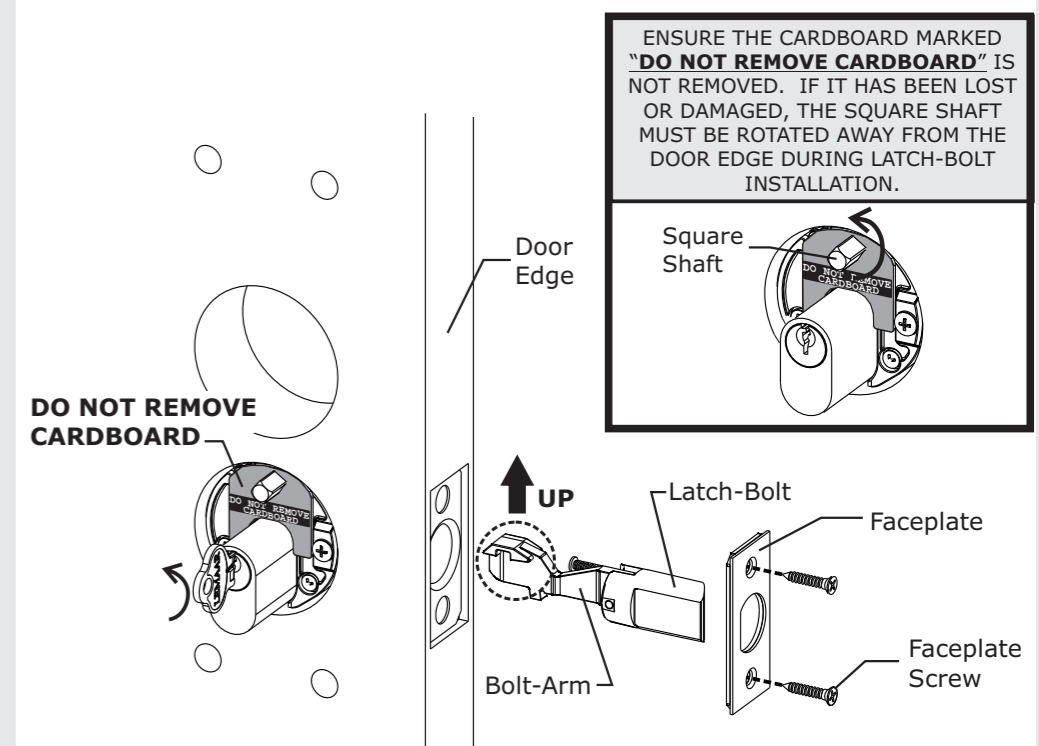
4. Clip Bolt-Arm onto Latch-Bolt



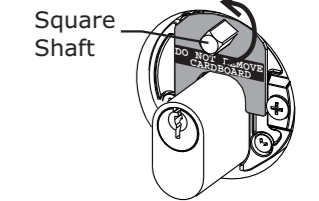
5. Rotate Bolt-Arm up 90 degrees.

Step 6.

- Push the Latch-Bolt assembly into the Bolt-Housing, ensuring the rear of the Bolt-Arm is orientated **UP** as shown.
- Rotate the Key away from the door edge to retract the Latch-Bolt.
- If the Latch-Bolt does not retract, the cardboard may have been removed or damaged. If so follow note in diagram below.
- Once the Latch-Bolt is installed, pre-drill holes for the Faceplate.
- Position Faceplate and install two Faceplate Screws (#6 x 19mm)

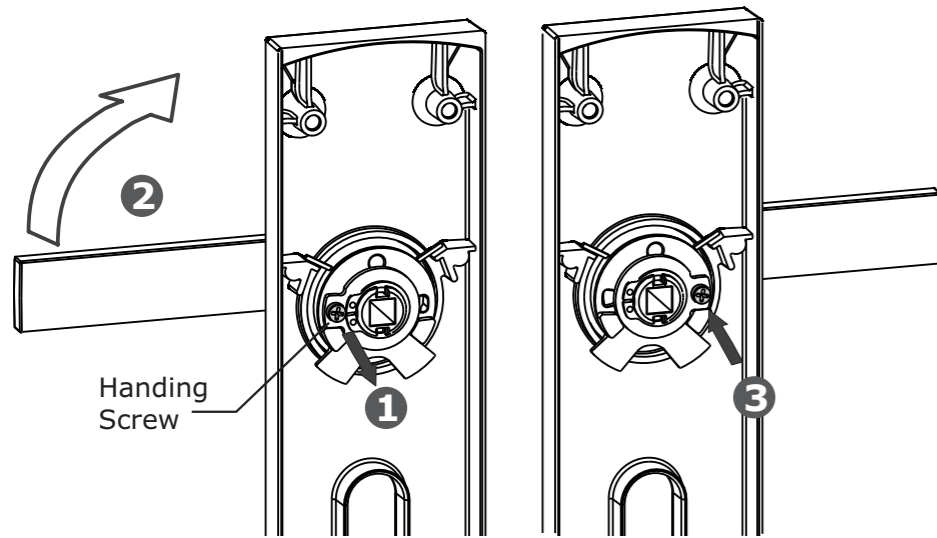


ENSURE THE CARDBOARD MARKED "DO NOT REMOVE CARDBOARD" IS NOT REMOVED. IF IT HAS BEEN LOST OR DAMAGED, THE SQUARE SHAFT MUST BE ROTATED AWAY FROM THE DOOR EDGE DURING LATCH-BOLT INSTALLATION.



DO NOT REMOVE CARDBOARD

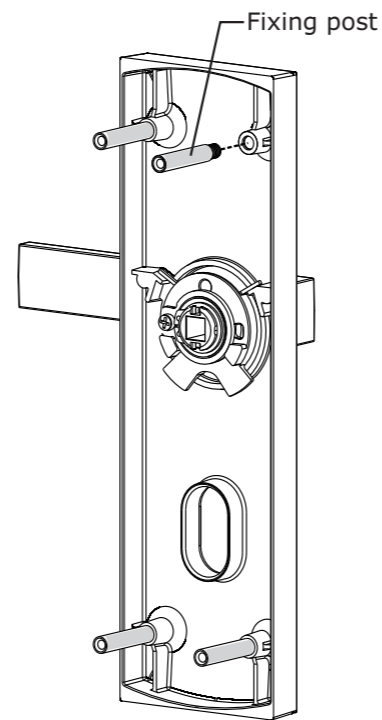
Step 7.



- Hold the Outside Plate on the outside face of the door and check whether the Lever orientation is correct.
- If Lever orientation needs to be changed:
 1. Loosen the handing screw. (Screw does not need to be removed)
 2. Rotate the Lever up and around 180degrees
 3. Re-tighten the Handing Screw.
- Check the Interior Lever orientation on the inside face of the door and repeat as above if necessary.

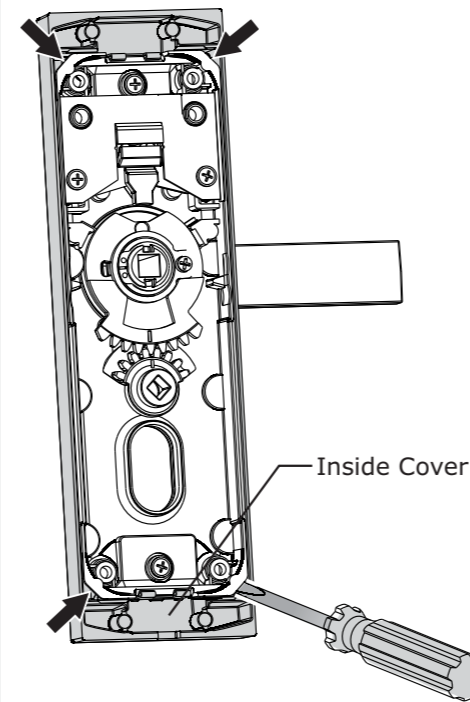
Step 8.

- Screw four Fixing Posts into the Outside Plate.



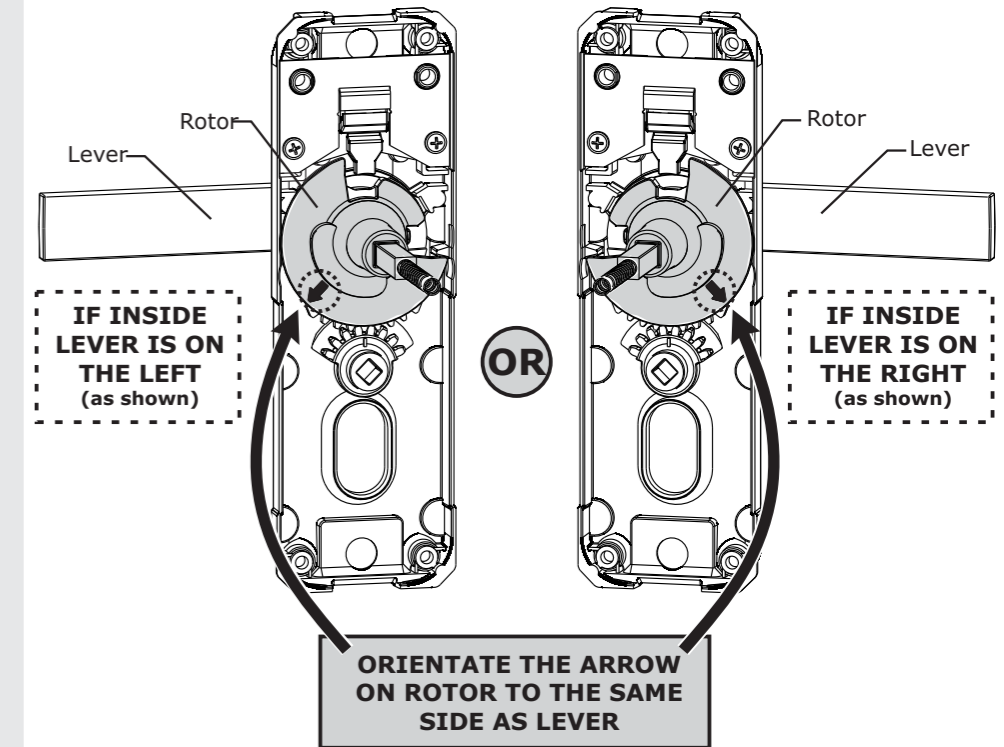
Step 9.

- Push a screwdriver into the corners of the Inside Plate and gently lever the Inside Cover off.



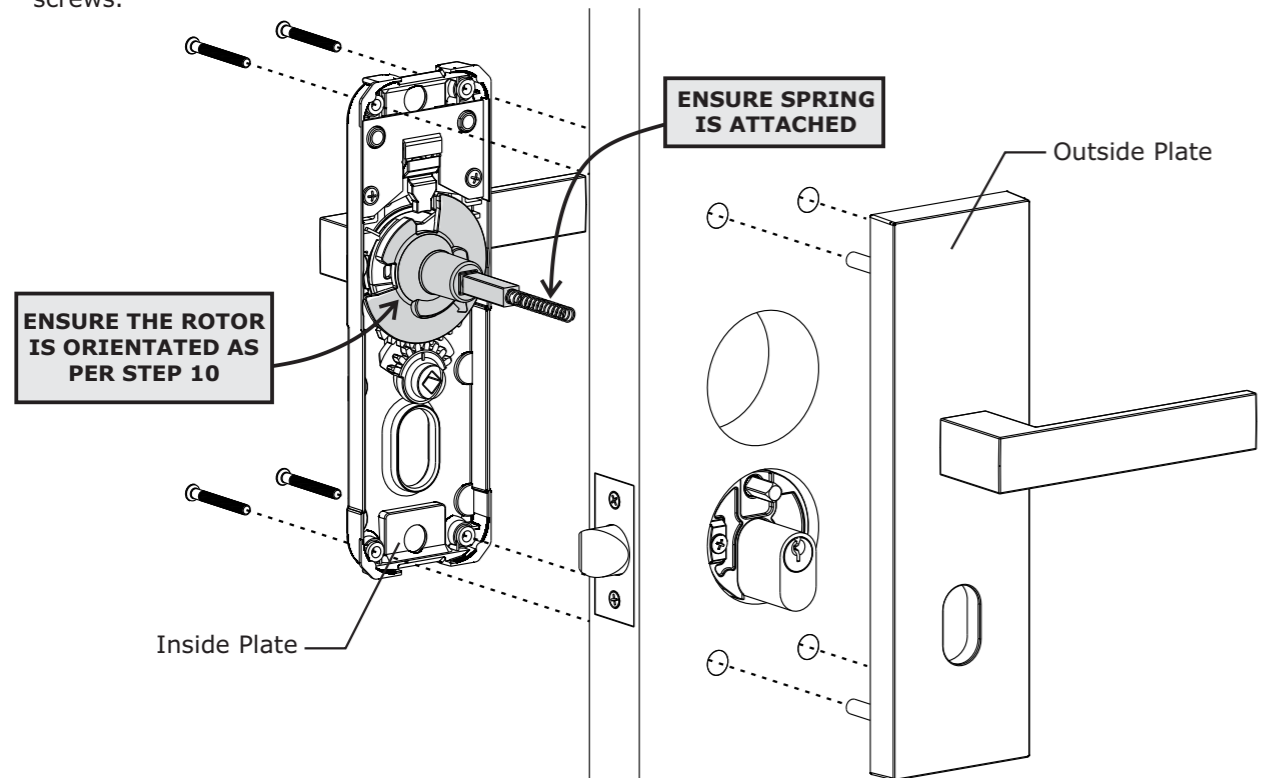
Step 10.

- Install the Rotor into the square recess of the Inside Lever.
- Orientate the arrow on the Rotor towards the same side as the lever as shown below:



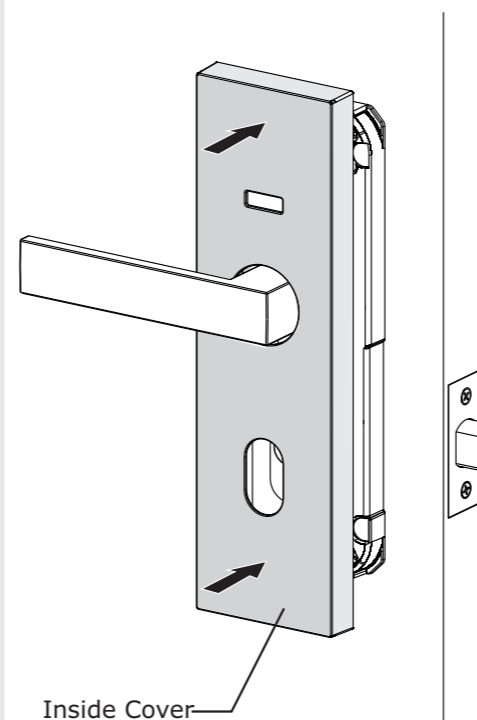
Step 11.

- Place the Outside Plate onto the outside face of the door.
- Hold the Rotor on the Inside Plate (**with the Rotor orientated as per Step 10**) and place on the inside face of the door; being sure to guide the Spring and Rotor Shaft into Outside Lever.
- Insert four mounting screws (M4 x 36mm) through holes in the Inside Plate and loosely tighten screws.
- Ensure that the Inside and Outside plates are sitting straight on the door before fully tightening the screws.



Step 12.

- Feed the Inside Cover back over the Interior Lever and push on to secure.



Step 13.

- **Ensure that door seals are installed before installing the Strike Plate.**
- Gently close the door until the Latch-Bolt rests on the Door Jamb.
- Mark the centre of the Latch-Bolt on Door Jamb, this mark can be used to position the Strike Plate.
- Mark and drill 25mm hole inside the Door Jamb to a depth of 25mm on marked bolt centre position.
- Position the Strike Plate and mark around. Chisel recess until strike plate sits flush with the face of the Door Jamb.
- Fasten the Strike Plate to Door Jamb with two Strike Plate Screws (#8 x 25mm)
- Close the door and check if the door rattles. If required remove the Strike Plate and bend the anti-rattle tab to reduce rattle. Then re-fit the Strike Plate and re-check.
- Check all lock functions to ensure correct lock operation.

