

LEMAAR

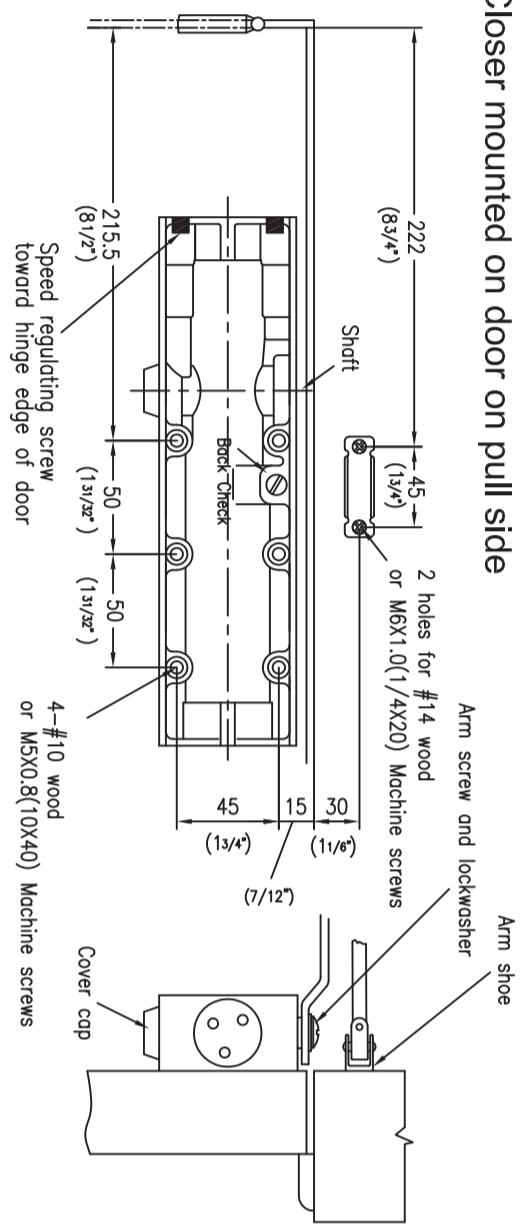
QUALITY YOU CAN FEEL

84500

SURFACE MOUNTED CLOSER SIZE 2-4
metric (inch) system
INSTALLATION INSTRUCTIONS

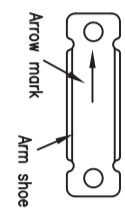
STANDARD INSTALLATION

Closer mounted on door on pull side

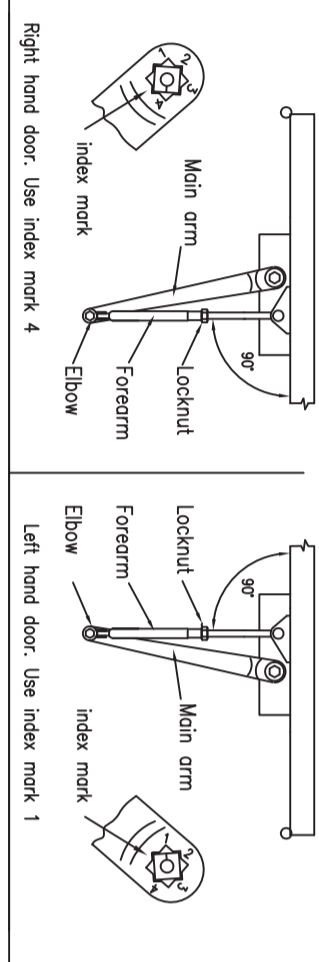


CLOSING POWER ADJUSTMENT

Arrow toward hinge edge
-for regular power
Arrow away from hinge edge
-for maximum power

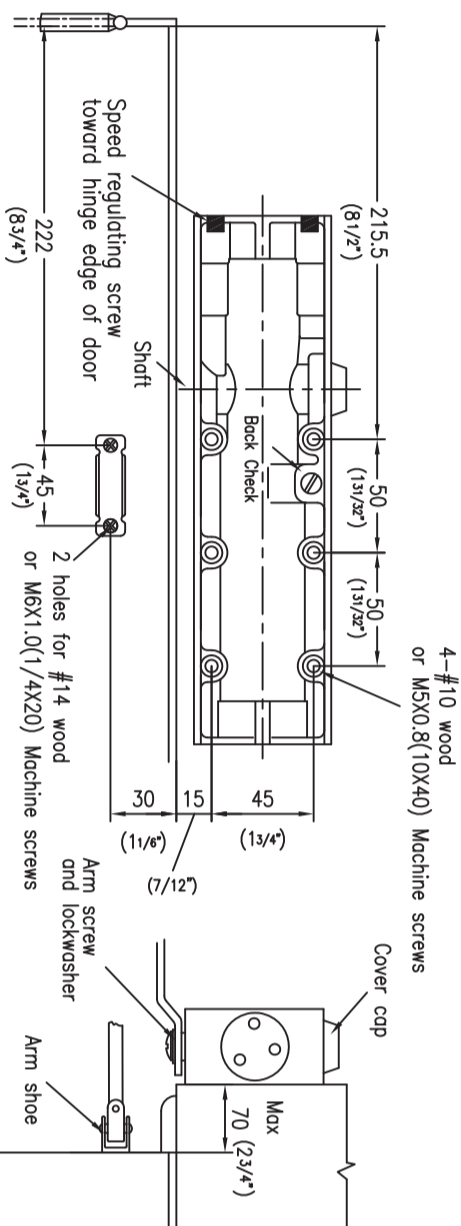


POSITION OF ARMS AND INDEX SETTINGS



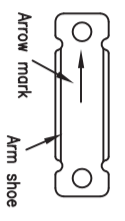
TOP JAMB INSTALLATION

Closer mounted on top jamb on push side of door.
Reveals of 70(2 3/4") to 127(5") requires long top jamb forearms.

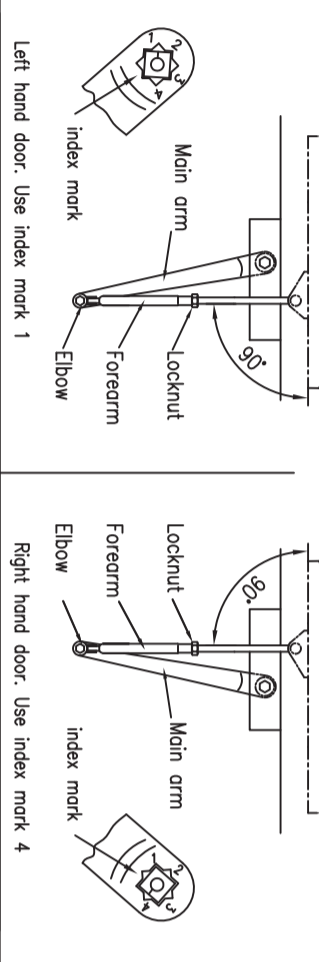


CLOSING POWER ADJUSTMENT

Arrow toward hinge edge
-for regular power
Arrow away from hinge edge
-for maximum power

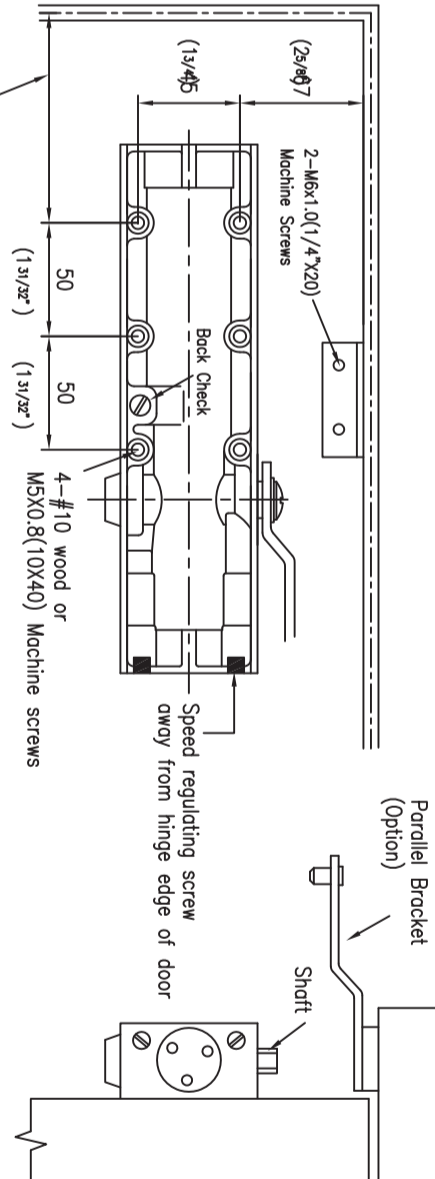


POSITION OF ARMS AND INDEX SETTINGS



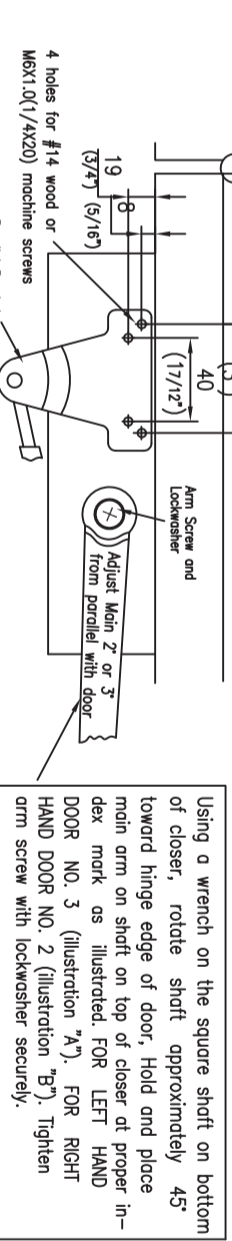
PARALLEL ARM INSTALLATION

Closer mounted on door on push side



for opening to 160°-64(2 1/2")

LEFT HAND DOOR shown. Same dimensions apply for right hand door measured from hinge edge.



POSITION OF ARMS AND INDEX SETTINGS

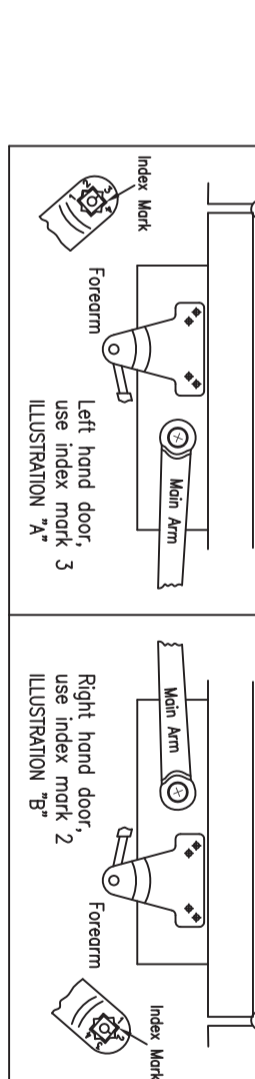
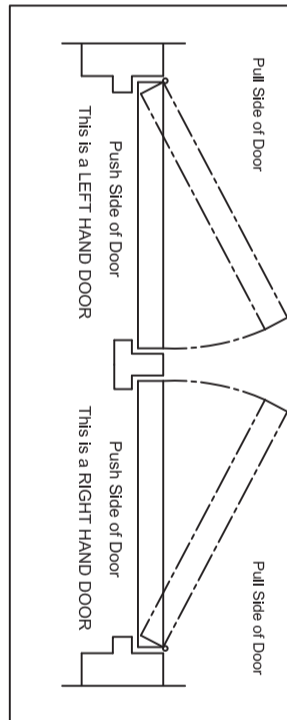
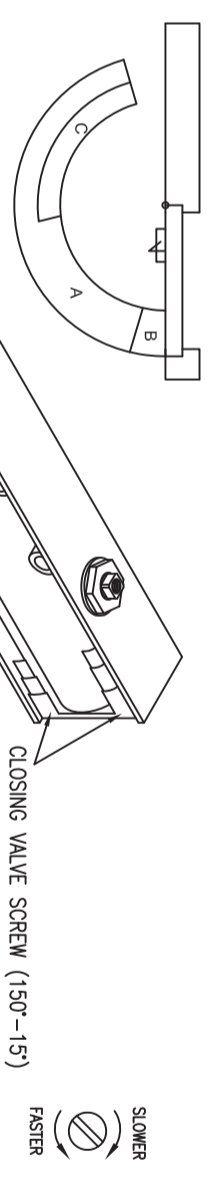


CHART FOR HAND OF DOOR



SPRING POWER & VALVE ADJUSTMENT

A. CLOSING RANGE 45°-15°
B. LATCHING RANGE 15°-0°
C. BACKCHECK RANGE 70°-145°



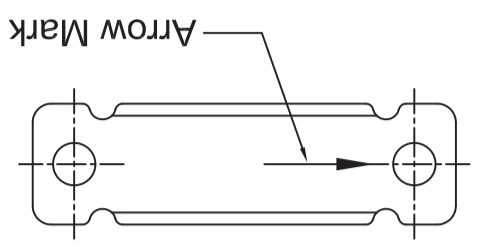
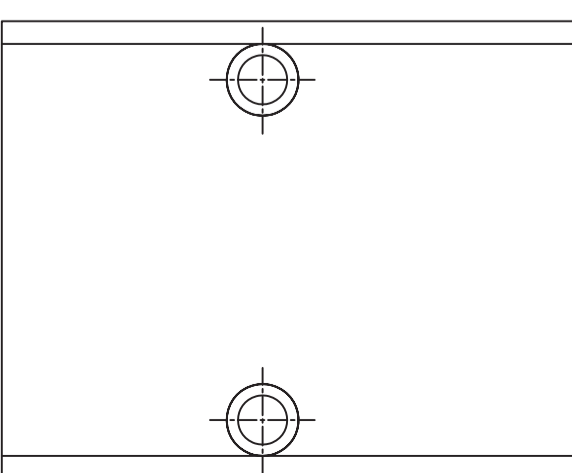
POWER ADJUSTMENT SCREW, USE 4mm HEXAGON WRENCH PROVIDED COUNTERCLOCKWISE TURNS INCREASE THE CLOSING FORCE, COUNTERCLOCKWISE TURNS DECREASE THE CLOSING FORCE (see table below)

SIZE	NO. OF TURNS	DIRECTION
2	6	COUNTERCLOCKWISE
3	0	FACTORY PRESET
4	5	CLOCKWISE

TOP JAMB OF FRAME

set to top of door
Fold Here and set to hinge edge of door for opening 0° TO 145°
1# Closing speed regulating valve screw
2# Latching speed regulating screw

Standard Installation Template For Left Hand Doors Mounted on door on pull side



CUT OFF HERE FOR TEMPLATE

TOP JAMB OF FRAME

set to top of door
Fold Here and set to hinge edge of door for opening 0° TO 145°
2# Latching speed regulating screw
1# Closing speed regulating valve screw

